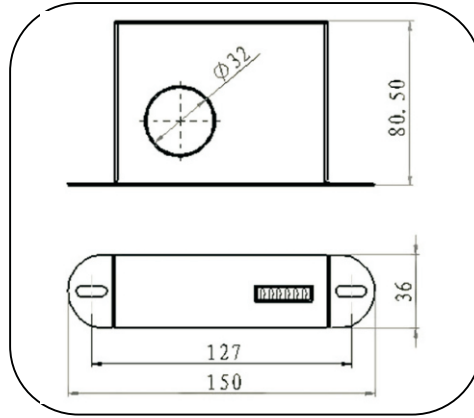


## Passive Lightning Event Counter

LEC-D



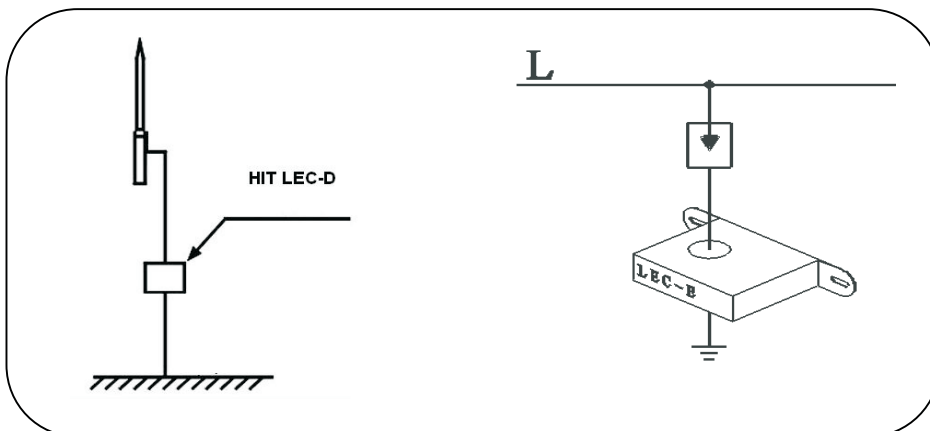
Dimension

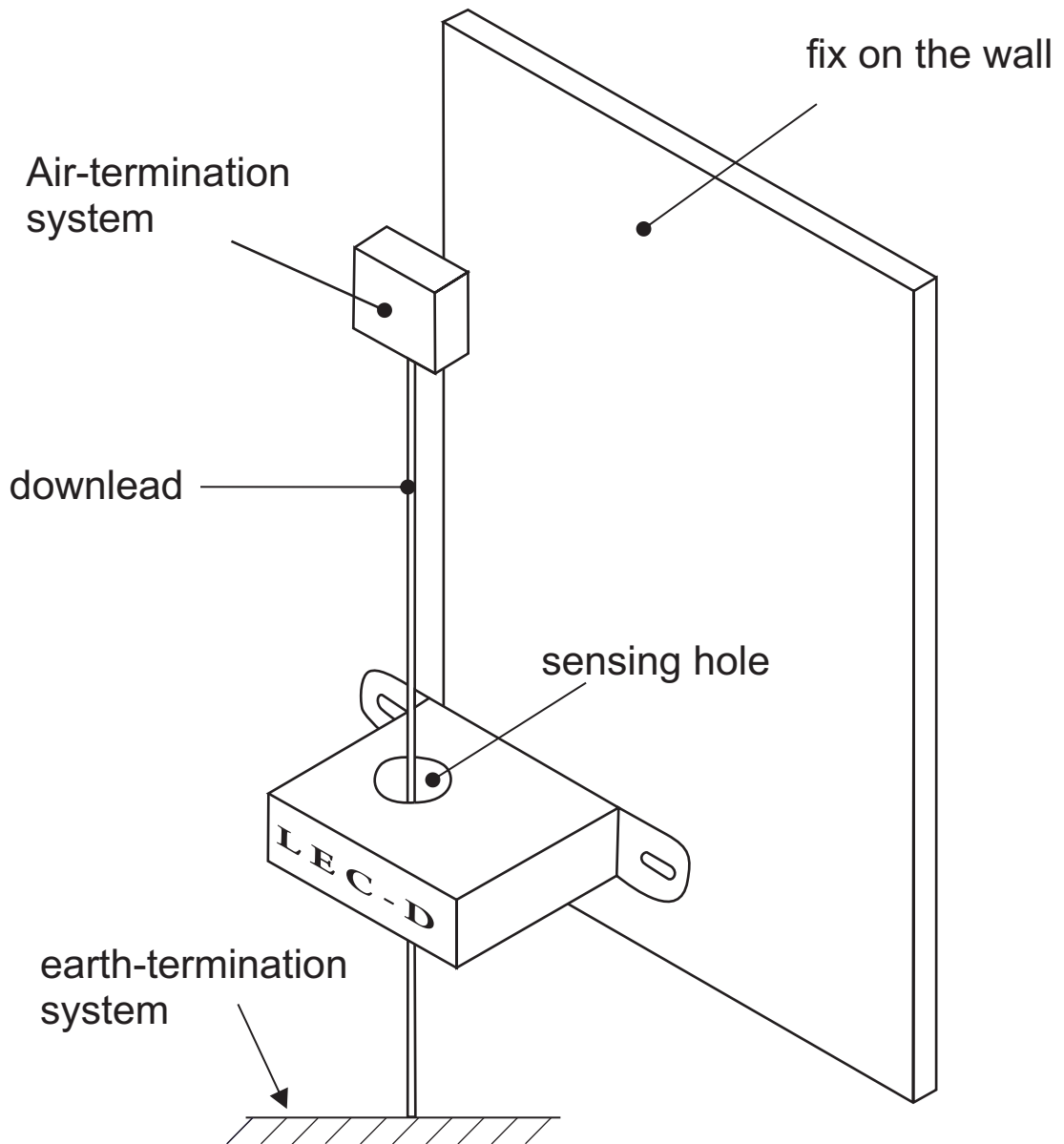
Passive Lightning event counter is used for registering the direct lightning event

- Long service life due to no battery need
- Sensitive response with trigger current 500A
- Can register very high lightning strike up to 150kA 8/20
- 32mm through hole, easy to install and use, a simple insertion of the down conductor
- Ip67 for out-door installation
- Mechanical count, 6 digit display

Type	HIT-LEC-D
Counting Current (rise time $\geq 8\mu s$ )	> 500A
Sequence of impulse	> 1s
Display Model	Electromechanical digital display
Indicator	Lightning Event 0~999999
Current Sample Mode	Inductive Probe (Built-in)
Working mode	No battery need
Operation temperature ( )	-20~+60
Dimension of window (mm)	32
Dimension of counter (mm)	150x80.5x36
Enclosure material	Steel
Degree of protection	Ip67

### Installation:





## PT. VISIOTEK GLOBAL INDONESIA

Jl. Pangeran Jayakarta No. 65 RT.005 / RW 001  
Kel. Harapan Mulya, Kec. Medan Satria, Kota Bekasi  
Phone : +6221 8895 8318, Fax : +6221 8895 8321  
Mobile : +62812 8383 1134, +62815 7447 9960